

DP-8194

Product Instructions/User manual



*** Please read the instructions carefully before using the product.***

This manual provides detailed instructions for the operation and maintenance of the equipment. Please learn before using, and use according to guidance. Save this manual

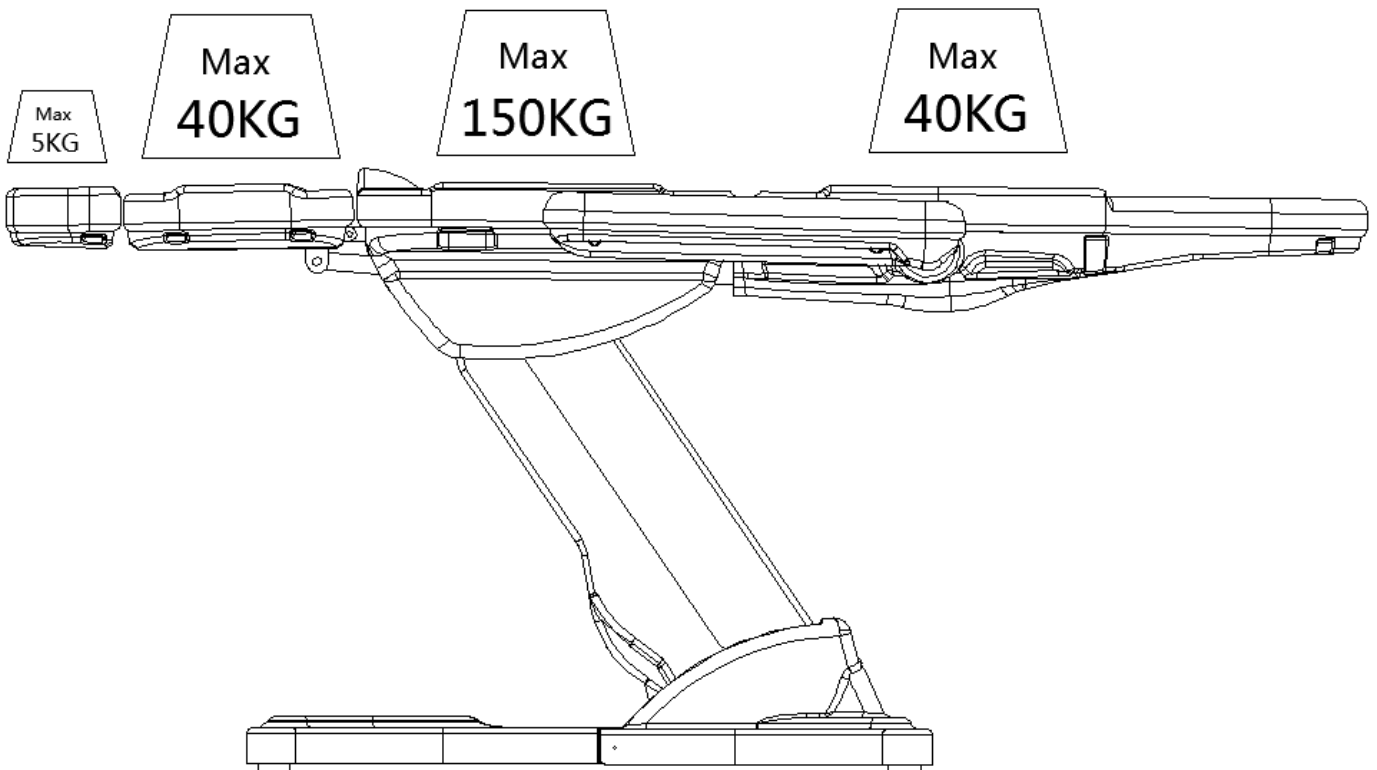
To ensure that all potential users of the equipment get familiar with it before using it

Contents

Product Bearing.....	P3
Notice when receiving the goods.....	P4
Function Introductions of DP-8194.....	P5-6
Warning and Precautions.....	P7
Usage of DP-8194 Beauty Bed.....	P8-10
Precautions for Cleaning and Disinfection.....	P11
Maintenance and Maintenance Measures.....	P12
Common Troubleshooting.....	P13
After-sales Service.....	P14

Rated Bearing:150KG

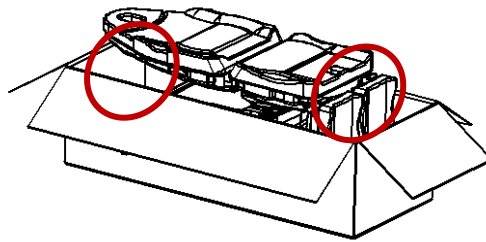
The maximum load of the back is 40KG, the maximum load of the cushion is 150KG, the maximum load of each side is 40KG and the maximum load of each end is 5KG. Do not load more than the weight of the bed. Do not jump directly onto the back and legs as not to damage its structure.



Notice when receiving the goods

We pack our products with cardboard boxes of 10-layer paper in total, which can provide good protection for your products. We strongly recommend that you keep the original packaging for future use, especially for returns during the warranty period.

For your safety, two people are needed to lift the beauty bed out. When lifting it out, one person stands on the head of the bed while another person stands on the end of it. Remember that it can only be lifted from its head and end, not from both sides of the armrest.



Please check if the package is intact or undamaged during transportation before using it. If any problem occurs please inform the transportation company or after-sales personnel within 2 days after receiving the good.

Make sure that all fittings are complete at the time of delivery. If any spare parts missing please contact the after-sales department in time.

The bed should be used in a normal and dry environment where temperature is between + 10° - 40° and the relative humidity is between 30° - 75°. If any possibility that the beauty bed will be exposed under a temperature below 0°, please adjust the indoor temperature to the appropriate room temperature for at least 5 hours before using.

Please learn the following instructions before using:

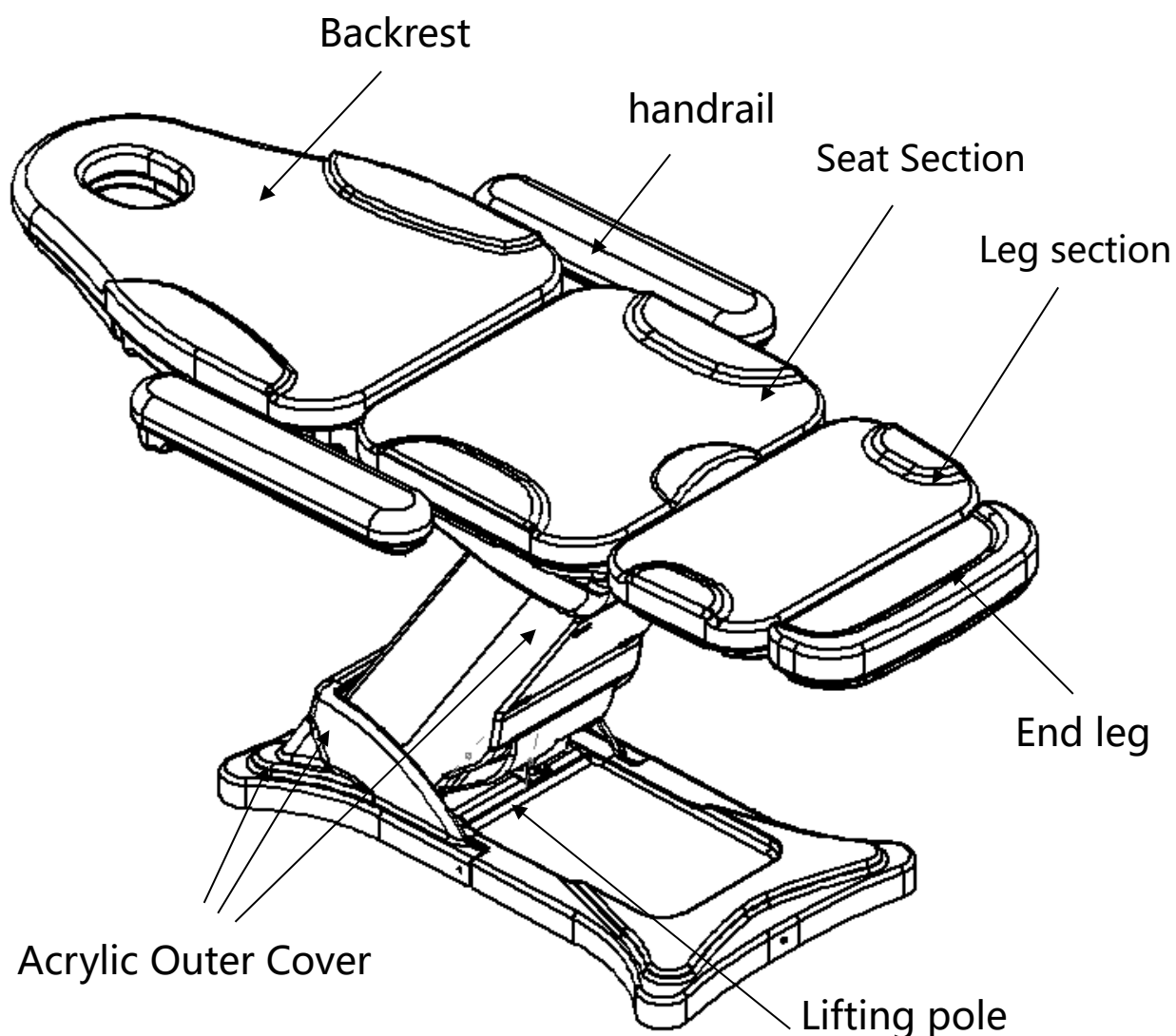
- (1) make sure all packaging materials have been removed.
- (2) make sure the beauty bed can move up and down freely.
- (3) make sure the bed is placed where it is needed.
- (4) make sure the bed is connected to power with matching voltage.

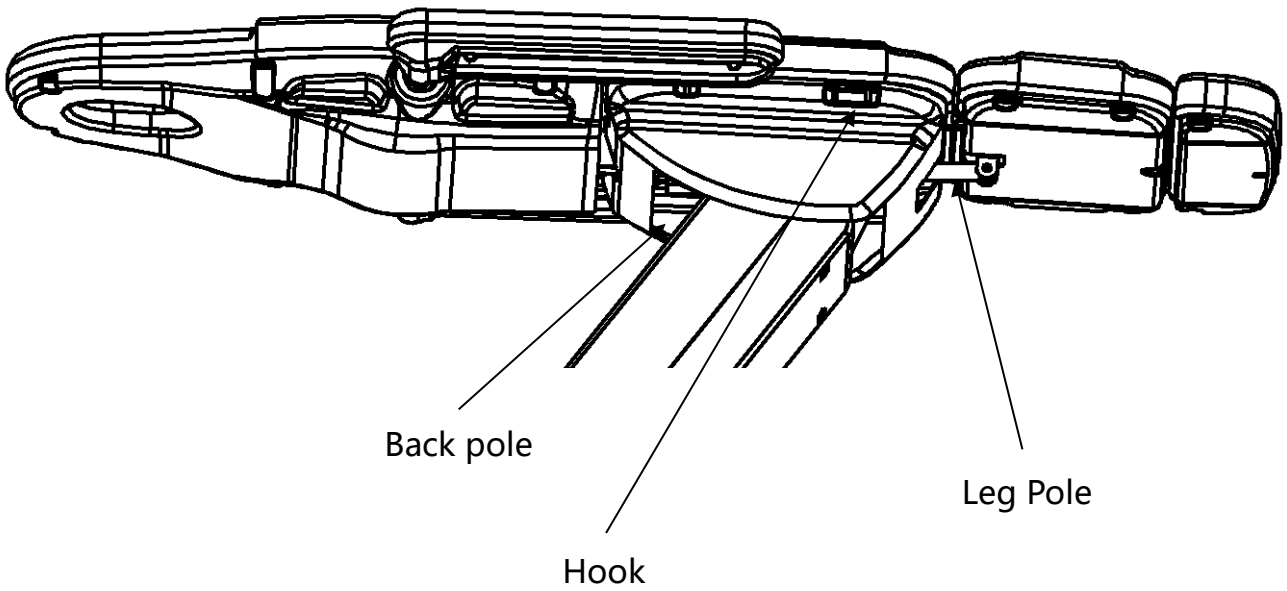
Kind reminder! Children or inexperienced people can not use the beauty bed. Please read the instructions first. Children shall be kept away from playing around the bed. For security, please lock the beauty bed and unplug the power while not supervised .

Introductions of DP-8194

DP-8194 Beauty Bed is suitable for professional therapists and can be used for massage and a wide range of physiotherapy treatments. It is designed to make people lie comfortably on the bed for massage or physiotherapy. The whole bed consists of four main sections and a pair of handrails, which can be adjusted from different positions of the bed. The hand control can be attached to the hooks on either side of the seat. The product is designed for people over 12 years old and over 146 CM in height.

DP-8194 Function







Warnings

1. The headrest cannot support the full weight of an adult;
2. Do not jump directly onto the beauty bed.
3. Do not sit directly on the head and legs.
4. Do not operate the beauty bed near flammable gas.
5. Before rising or lowering the bed, please check whether there are obstacles above and under the bed.
6. Do not overload;
7. Make sure the socket can be reached in 2 meters.



Attention

1. For security please do connect the power to the socket.
2. To avoid pulling the power cord while lifting, do not tie the power cord to the equipment. Meanwhile please make sure that the power cord can be easily disassembled in case of an emergency.
3. Before moving the beauty bed, be sure to remove the power cord to avoid getting stuck among spare parts of the bed.
4. If the power cord is damaged, unplug the power cord immediately and stop using the bed, please contact the after-sales service in time for manufacturer's power cord.
5. Make sure that non-operator cannot move or touch any control button by accident.
6. There should be enough space around the beauty bed.
7. Avoid any sharp objects or other harmful objects around the bed.
8. Do not modify the structure of the beauty bed or install privately other fittings onto it. If the beauty bed does not work properly, please stop using and contact the after-sales department.
9. Do not place the beauty bed near the threshold. The bed should be unpacked according to instructions in this manual.

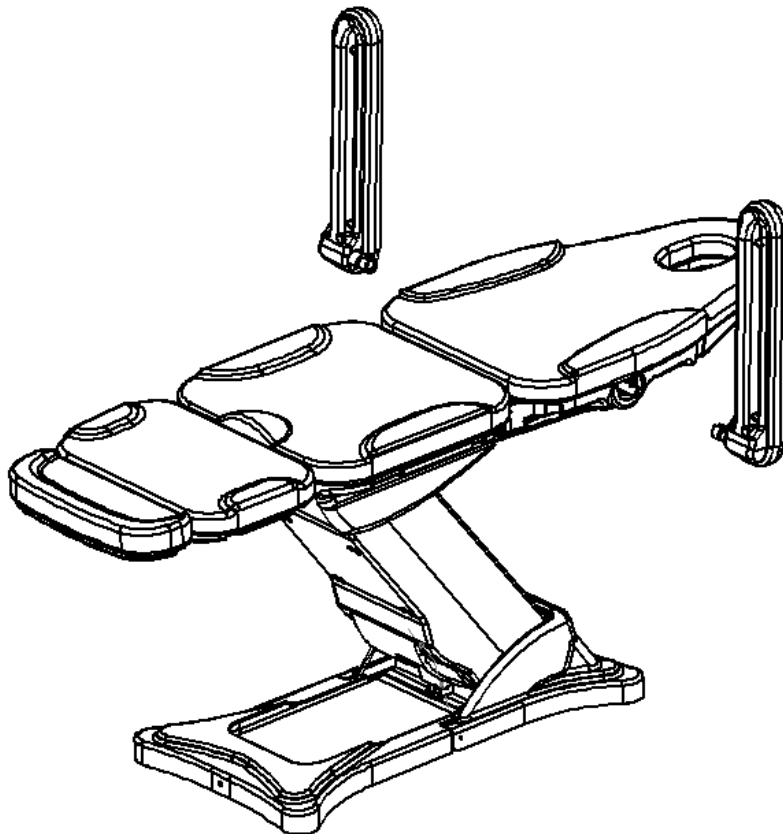
Operation of DP-8194 beauty bed

(1) Insert the pin-shaped power cord, 110V ~ 240V is available.

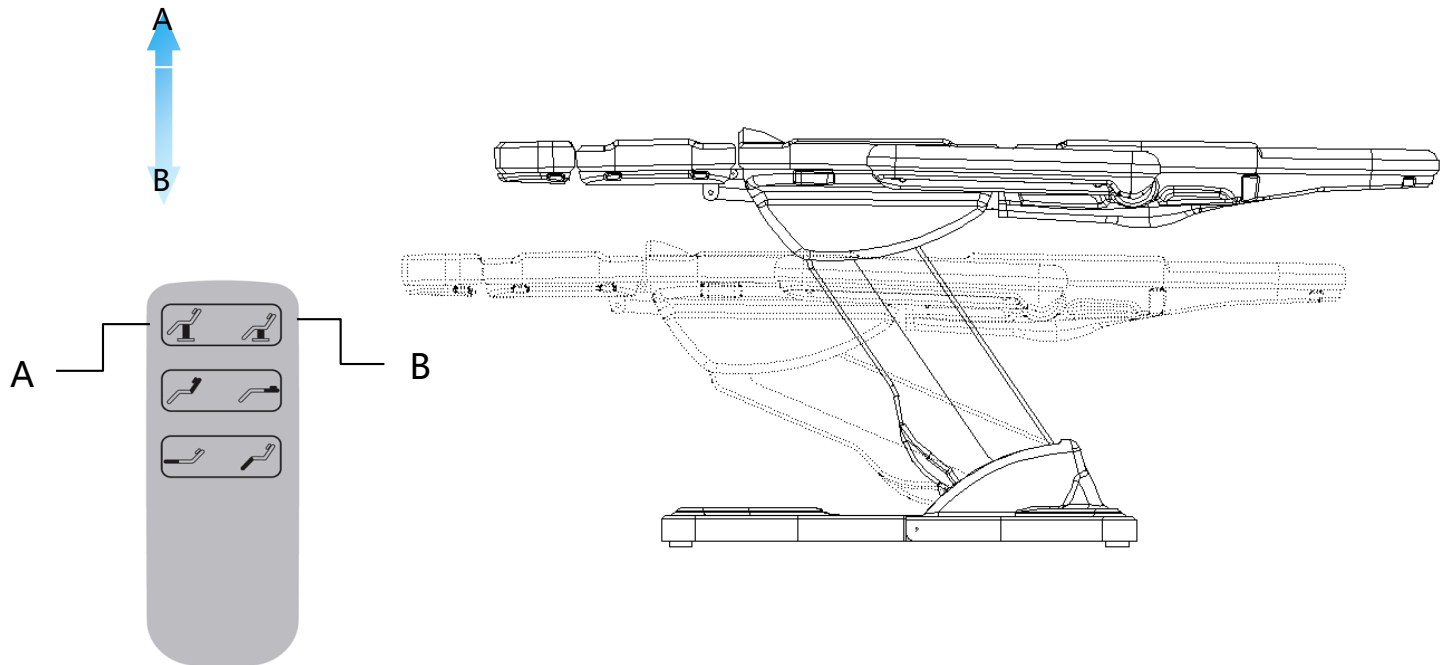
Handrail installation method: The handrail is perpendicular to the ground (regardless of the angle of the bed surface)

Shake the armrest left or right to push the armrest into the slot.

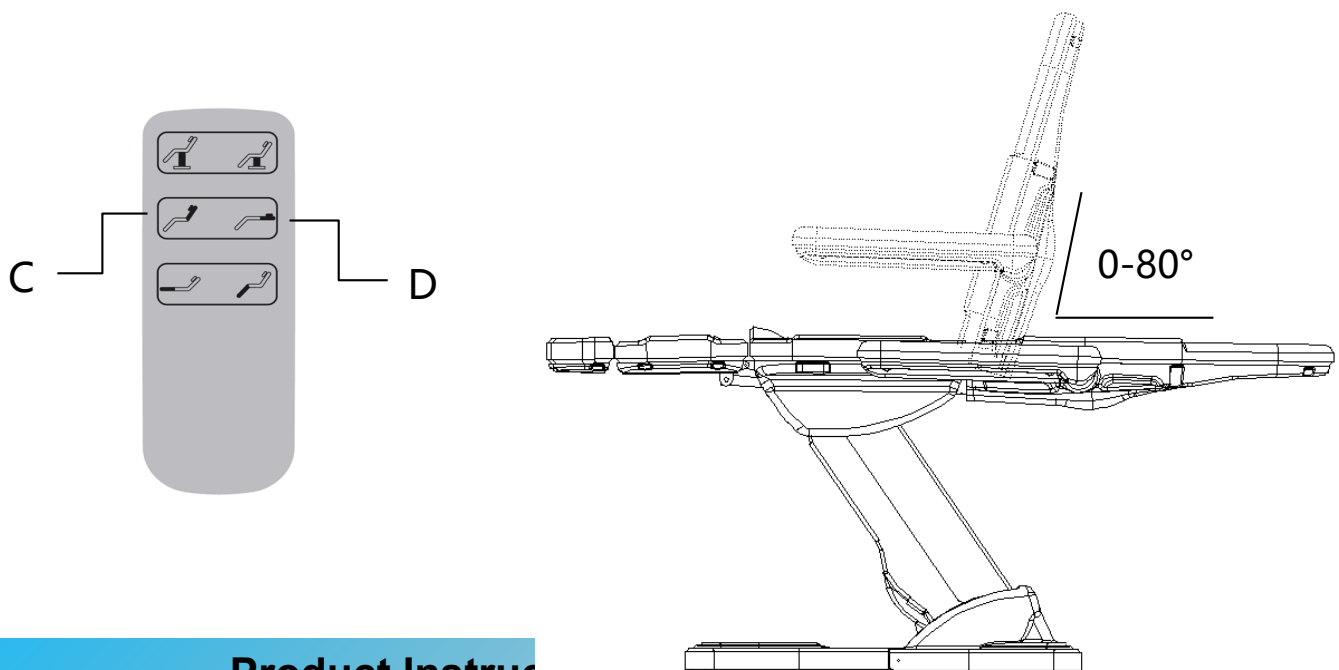
Armrest can be rotated 0-180 °



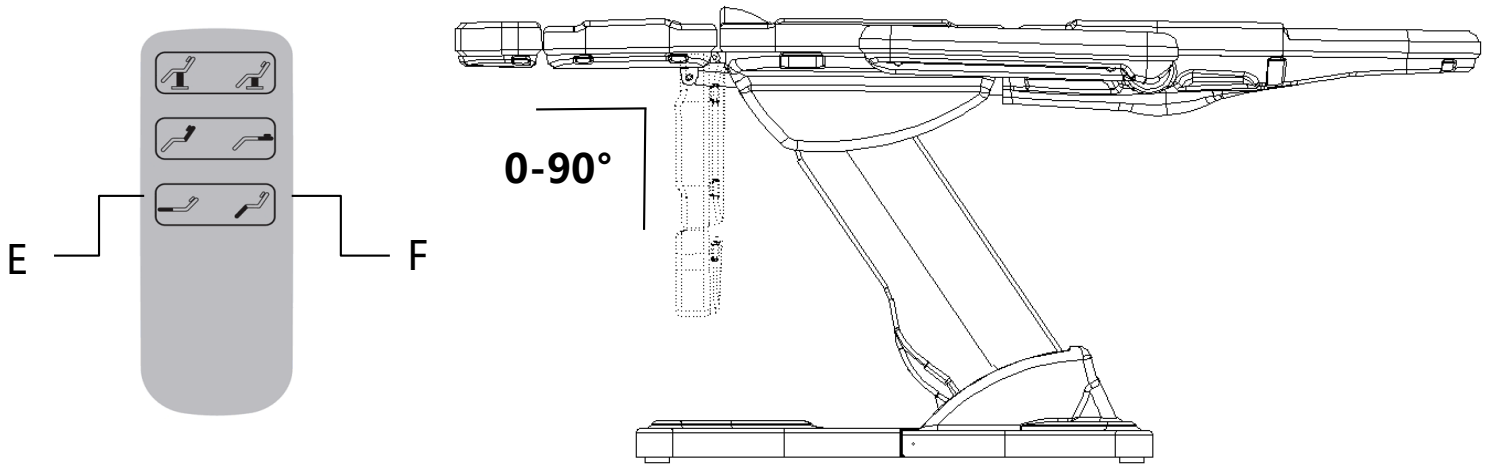
Hand control function (lifting height is 58-81 cm)



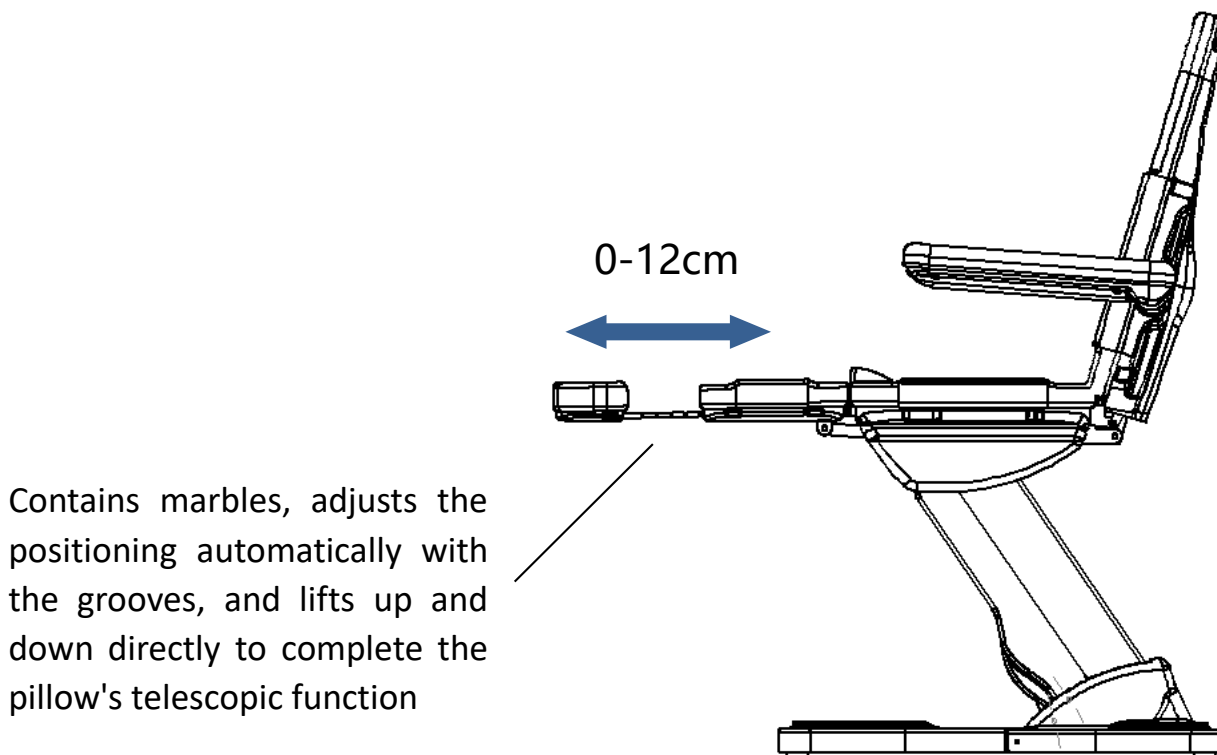
Hand control function (Backrest adjustable 0-80°)



Hand control function (Leg adjustable 0-90°)



Adjustment of leg extension: (Telescopic leg length: 0-12cm)



Precautions for Cleaning and Disinfection

*** Please unplug the power cord before cleaning.***

In order to keep the surface of the beauty bed in good condition, please clean it regularly. Keep in mind that the bed needs to be cleaned and disinfected before applying to different users. A thorough disinfection per month is recommended.

I Metal and plastic surface

Clean metal and plastic surface and hand controls with wet cloth or weak alkaline cleaning solution. And use small brushes in corners and other difficult-reaching places. When cleaning, rinse with clean water and dry carefully. Do not use too much liquid or disinfectant (alcohol or chlorine) and follow the instructions of the disinfectant manufacturer, then evaporate and dry the bed at room temperature.

II. Stainless steel surface

The surface is highly chemical resistant, which needs to be cleaned with mild detergent solution. Ammonia and most solvents can be used to remove stains that are difficult to dye. Avoid using chlorinated solutions or chrome plating on metal surface;

Make sure that all surfaces are dry before connecting to the main power supply and using equipment,

Do not use water spray (shower, high pressure water gun) for cleaning;

Do not clean under high temperature and high air humidity. Do not expose the equipment to the environment that may lead to liquid pollution.

Do not use solvent for cleaning; do not use acid for cleaning;

Sterilization wears away the surface. After disinfection, please clean the surface with a clean wet towel.

III Bed surface

Please use clean soft towel to wipe the bed surface, with special leather detergent to wipe evenly. And then use clean soft towel to wipe it clean again. Do not touch the bed surface with wet cloth, hard or acid or alkaline chemicals, so as to avoid affecting the surface quality and service life.

Maintenance

*** Before maintenance, make sure to unplug the power cord and confirm that the function is off***

- ① Read the instructions carefully
- ② Experienced and manufacturer-authorized personnel is required for maintenance. Maintenance by unauthorized personnel may cause injury or damage to equipment that the manufacturer is not responsible for.
- ③ Only original fittings proved by the manufacturer are allowed.
- ④ Do not use the beauty bed or its fittings If it does not function properly, Please unplug the power cord first and use the safety switch and then contact the after-sales department.
- ⑤ All maintenance and repair operations must be recorded.

Maintenance measures

Check the control, its wiring ,the status and functions once a week.

The following fittings need to be checked at least every six months:

1. Power cord and its fixing
2. Motor wiring
3. Control box and its wiring
4. fittings are attached and fixed
5. Normal operation of locking system
6. Complete all adjustments and ensure that the beauty bed works properly

If you find any defects, please stop using the equipment. Please contact after-sales department if you find it making noise or malfunctions. Only experienced or authorized personnel can open or replace the actuator/control unit.

If some fittings of the equipment are damaged, please remove the power cord and stop using the equipment. Inform the after-sale department to ensure that all parts are properly placed after any maintenance measures.

Common troubleshooting

No.	Troubles	Solutions
1	Hand-controlled doesn' t work	Switch the position of the hand-controlled plug which connects to control box (check whether there is any motor problem). Keep in mind that the original position of the plug must be identified.
2	Electric motor doesn' t work	Switch the position of motor plug

To replace the controller and order other spare fittings, please contact the service department and describe the following information:

1. Model

2. Date of purchase

Warranty

The warranty period is within the agreed period unless there are any other agreement . Manufacturing materials and motors are guaranteed for three years, vulnerable fittings (power lines) are guaranteed for one year.

Warranty Conditions: Warranty is valid only when the warranty requirement is provided together with the original invoice or sales order or (order) confirmation.

The product is designed and manufactured to meet the requirements of CE standards. If the product needs to be adjusted to meet other local/ national technical or safety standards, it is not considered to have material or process defects.

This warranty does not include any of the following conditions:

- 1.Damage due to normal wear during daily use and maintenance, replacement or changing fittings during the periodic inspection
- 2.Damage caused from transporting, disassembling or installing products
- 3.Misusing, including failure to use the product in accordance with the guidelines or incorrect installation
- 4.Natural disasters (lightning, floods, fires) and damage caused by war, public interference, abnormal power supply voltage or any other elements which beyond control
- 5.Damage done by chemicals ,liquids, or any hazardous substance that may affect the product
- 6.The slight defects and deviations of the product that do not affect the value or function of the product can be neglected.

The following operations must be performed when making a warranty claim.

First of all, please contact after-sales department and describe the problem (with photos or videos) and inform them of the product and purchase time. Our technicians will help figure out defects and faults and usually provide solutions by telephone or e-mail. If the warranty service is needed, the product should be returned to the provider or factory. We will bear the costs of material/spare fittings and labor, as well as the refund cost accordingly, and offer the appropriate solution.

If the bed is replaced with unauthorized fittings, warranty service is not valid! (repairs by unauthorized persons or inexperienced persons, and these maintenance measures lead to product

failures, or the use of incorrect detergents for cleaning lead to product defects, or failure to perform regular maintenance in accordance with the instructions will also be regarded as invalidation of the warranty.)